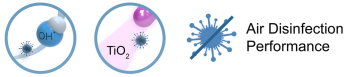




## Χαρακτηριστικά

Χωνευτή αεροκουρτίνα Windbox ειδικά σχεδιασμένη για εγκατάσταση σε ψευδοροφές. Έχει διπλή λειτουργία απολύμανσης και καθαρισμού του αέρα και των επιφανειών, χρησιμοποιώντας τεχνολογίες Kleefan και Wellisair οι οποίες, χάρη στην επίδραση της φωτοκατάλυσης και τη δημιουργία ριζών OH· υδροξυλίου, εξαλείφουν ιούς, βακτήρια, οσμές και μολυσματικά αέρια, βελτιώνοντας την ποιότητα του αέρα.



- Combines a double patented purification technology through the generation of hydroxyl radicals OH· and the effect of photocatalysis.
- Innovative OH active technology with efficient production of hydroxyl radicals, complies with the exposure limits against chemical agents adopted by the National Institute of Safety and Health (INSS), which purifies both air and surfaces through a chain reaction. Through Advanced Oxidation Processes (AOP) inactivates up to 99.9% of pathogenic microorganisms (viruses and bacteria), improves air quality (reducing volatile organic compounds and suspended particles) and eliminates odours.
- Includes one purificant cartridge with hydrogen peroxide solution to generate hydroxyl radicals.
- Kleefan technology with photocatalytic purificant action fans. UV-A rays, from the long-life led, act on the titanium dioxide of the turbine generation Reactive Oxygen Species (ROS) than, through oxidation /reduction reactions, inactivate wide range of pathogenic microorganisms (viruses and bacteria). It mineralizes most of the pollutants present in urban areas produced by vehicles and industry (NOx, SOx, COx, formaldehydes, VOCs, etc.).
- Includes Advanced Clever Control with purification program operation 24h/day, 4 levels of air quality indicator and replacement alarm of hydrogen peroxide purificant cartridge (around 3 months duration, depending on conditions). Plug&Play, programmable, Intelligent, automatic, energy saving mode, Modbus RTU by PLC...
- Galvaniseeritud terasplaadist valmistatud isekandev konstruktsioon, on ripplakke sissehitamiseks valmis.
- Sisselaskevõre (hooldusvaba) on tehtud koos alumiiniumprofiilidega ja väljapuhumisotsikuga ning asetatud valge RAL 9016 korpusele. Muud värvid on ka saadaval (soovi korral).
- Anodeeritud alumiiniumist väljalaskeavad, aerodünaamilise vormiga, reguleeritav mõlemas suunas.
- EC Double-inlet centrifugal fans driven by an external rotor motor and low noise level, with very low consumption efficiency fans.
- "P" tüüp veeküttega soojusvahetiga. "E" tüüp elektriliste varjestatud elementidega, kolm astmed, sissehitatud reguleerimisvõimalusega. "A" tüüp kütteta, ainult ventileerimiseks. DX soojusvaheti (soovi korral).

## Προδιαγραφές

50Hz

Μοντέλο	(m³/h)	(m)
RECM 1000 A OH+FC	2,5-3,8	
RECM 1500 A OH+FC	2,5-3,8	
RECM 2000 A OH+FC	2,5-3,8	
RECM 2500 A OH+FC	2,5-3,8	
RECG 1000 A OH+FC	3-4,2	
RECG 1500 A OH+FC	3-4,2	
RECG 2000 A OH+FC	3-4,2	
RECG 2500 A OH+FC	3-4,2	

Μοντέλο	(m³/h)	(kW)	(m)
RECM 1000 E OH+FC	2,5-3,8		
RECM 1500 E OH+FC	2,5-3,8		
RECM 2000 E OH+FC	2,5-3,8		
RECM 2500 E OH+FC	2,5-3,8		
RECG 1000 E OH+FC	3-4,2		
RECG 1500 E OH+FC	3-4,2		
RECG 2000 E OH+FC	3-4,2		
RECG 2500 E OH+FC	3-4,2		



Μοντέλο	(m <sup>3</sup> /h)	(m)	(kW)	(kW)	(kW)
RECM 1000 P86 OH+FC	-				
RECM 1500 P86 OH+FC	-				
RECM 2000 P86 OH+FC	-				
RECM 2500 P86 OH+FC	-				
RECG 1000 P86 OH+FC	-				
RECG 1500 P86 OH+FC	-				
RECG 2000 P86 OH+FC	-				
RECG 2500 P86 OH+FC	-				
RECM 1000 P64 OH+FC	-				
RECM 1500 P64 OH+FC	-				
RECM 2000 P64 OH+FC	-				
RECM 2500 P64 OH+FC	-				
RECG 1000 P64 OH+FC	-				
RECG 1500 P64 OH+FC	-				
RECG 2000 P64 OH+FC	-				
RECG 2500 P64 OH+FC	-				
RECM 1000 P54 OH+FC	8.74				
RECM 1500 P54 OH+FC	14.71				
RECM 2000 P54 OH+FC	19.13				
RECM 2500 P54 OH+FC	24.95				
RECG 1000 P54 OH+FC	11.5				
RECG 1500 P54 OH+FC	17.86				
RECG 2000 P54 OH+FC	25.24				
RECG 2500 P54 OH+FC	31.38				

60Hz

Μοντέλο	(m <sup>3</sup> /h)	(m)
RECM 1000 A OH+FC	2,5-3,8	
RECM 1500 A OH+FC	2,5-3,8	
RECM 2000 A OH+FC	2,5-3,8	
RECM 2500 A OH+FC	2,5-3,8	
RECG 1000 A OH+FC	3-4,2	
RECG 1500 A OH+FC	3-4,2	
RECG 2000 A OH+FC	3-4,2	
RECG 2500 A OH+FC	3-4,2	

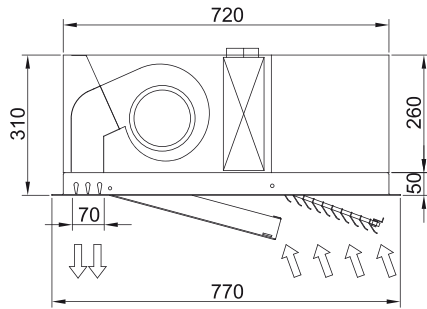
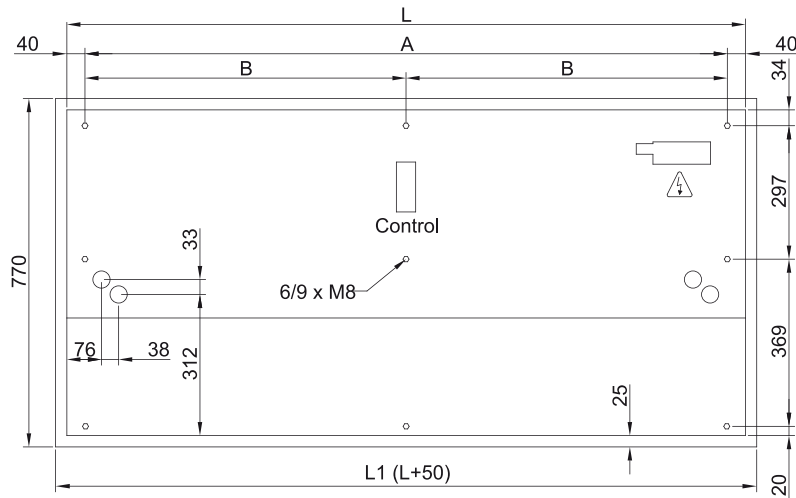
Μοντέλο	(m <sup>3</sup> /h)	(kW)	(m)
RECM 1000 E OH+FC	2,5-3,8		
RECM 1500 E OH+FC	2,5-3,8		
RECM 2000 E OH+FC	2,5-3,8		
RECM 2500 E OH+FC	2,5-3,8		
RECG 1000 E OH+FC	3-4,2		
RECG 1500 E OH+FC	3-4,2		
RECG 2000 E OH+FC	3-4,2		
RECG 2500 E OH+FC	3-4,2		

Μοντέλο	(m <sup>3</sup> /h)	(m)	(kW)	(kW)	(kW)
RECM 1000 P86 OH+FC	-				
RECM 1500 P86 OH+FC	-				
RECM 2000 P86 OH+FC	-				
RECM 2500 P86 OH+FC	-				
RECG 1000 P86 OH+FC	-				
RECG 1500 P86 OH+FC	-				
RECG 2000 P86 OH+FC	-				
RECG 2500 P86 OH+FC	-				
RECM 1000 P64 OH+FC	-				
RECM 1500 P64 OH+FC	-				
RECM 2000 P64 OH+FC	-				
RECM 2500 P64 OH+FC	-				
RECG 1000 P64 OH+FC	-				



Μοντέλο	(m <sup>3</sup> /h)	(m)	(kW)	(kW)	(kW)
RECG 1500 P64 OH+FC	-				
RECG 2000 P64 OH+FC	-				
RECG 2500 P64 OH+FC	-				
RECM 1000 P54 OH+FC	8.74				
RECM 1500 P54 OH+FC	14.71				
RECM 2000 P54 OH+FC	19.13				
RECM 2500 P54 OH+FC	24.95				
RECG 1000 P54 OH+FC	11.5				
RECG 1500 P54 OH+FC	17.86				
RECG 2000 P54 OH+FC	25.24				
RECG 2500 P54 OH+FC	31.38				

ΔΙΑΣΤΑΣΕΙΣ



	L	L1	A	B
Recessed Windbox 1000	1000	1050	920	-
Recessed Windbox 1500	1500	1550	1420	710
Recessed Windbox 2000	2000	2050	1920	960
Recessed Windbox 2500	2500	2550	2420	1210